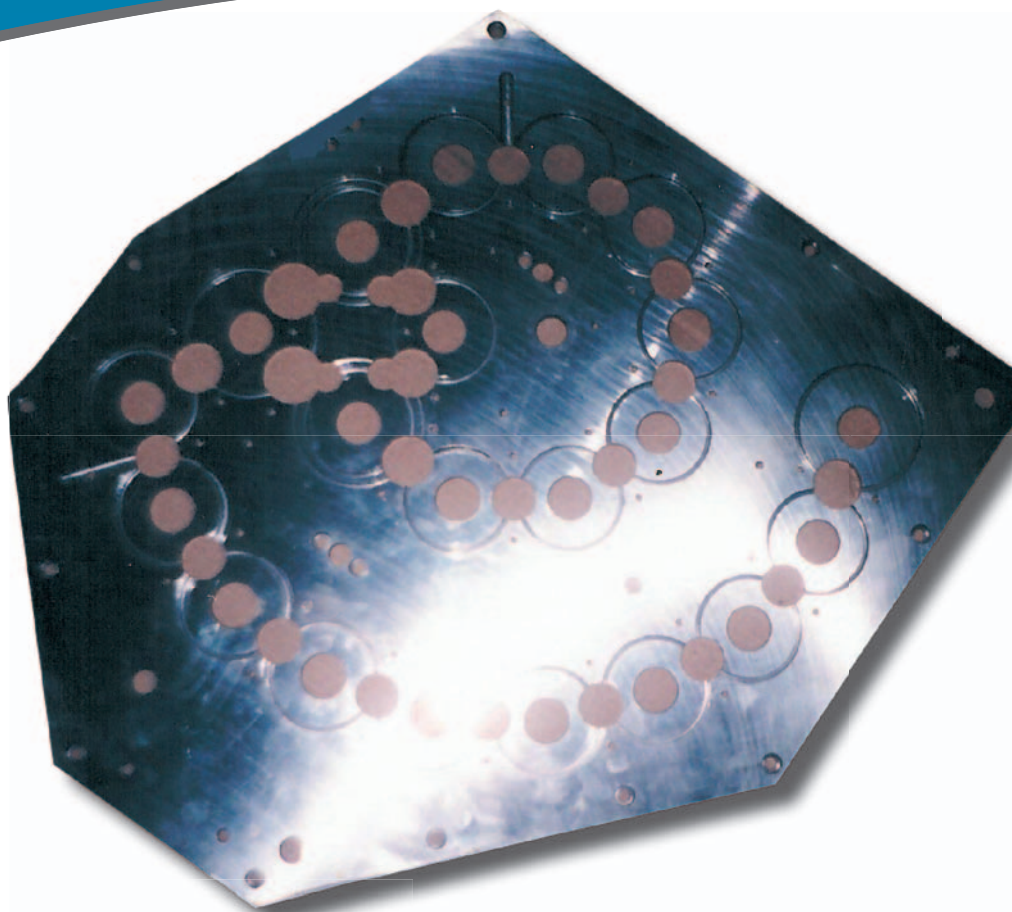


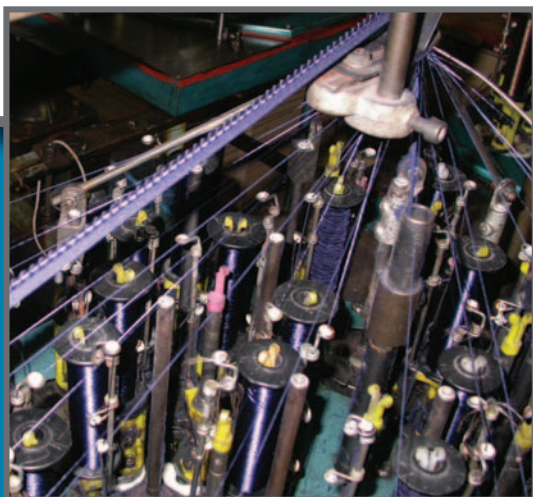
SPECIAL TEXTILE BRAIDING MACHINES

STM&SUT Series (pitch 80 – 200)

designed for special (combined) braids



- **EASY TO USE**
- **CONTINUAL OPERATION**
- **WIDE RANGE OF FINAL PRODUCTS**
- **LOW NOISE LEVEL**



Dotex Ltd. Nový Jičín

Dolní Brána 53

741 01 Nový Jičín

Czech republic



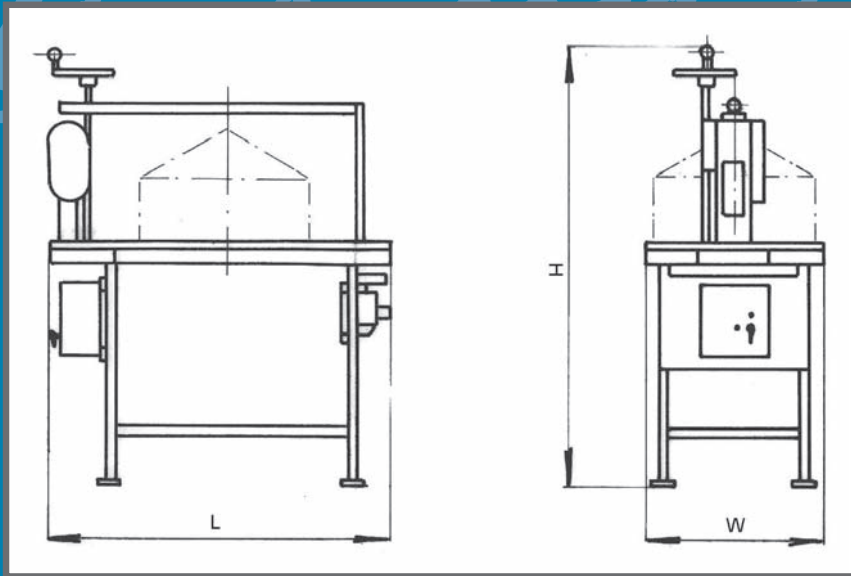
ISO 9001

REGISTERED QUALITY SYSTEM

tel.: (+420) 556 766 230

fax.: (+420) 556 766 278

www.dotex.cz



Machine Type	SUT 9/6	STM 19/25	STM 12/9/12	STM 12/16/12	STM 12/24/12	STM 16/24/28
Number of heads	6	1	1	1	1	1
Carriers per head	9	44	33	40	48	68
Pitch size in mm	200	80	80	80	80	80
Length in mm (L)	1560	800	830	950	1050	1146
Width in mm (W)	410	600	580	640	750	850
Height in mm (H)	1335	1335	1335	1335	1335	1335
Weight in kg	200	150	160	175	185	200
Motor power in kW	0,55	0,37	0,37	0,55	0,55	0,55
Speed in rpm	280	220	140	140	140	140
Carrier type	5514	5514	5514	5514	5514	5514
Bobbin size in mm	120x42	120x42	120x42	120x42	120x42	120x42
Bobbin volume in ccm	135	135	135	135	135	135

Accessories :	SUT 9/6	STM 19/25	STM 12/9/12	STM 12/16/12	STM 12/24/12	STM 16/24/28
Counter device	X	X	X	X	X	X
Time control	0	0	0	0	0	0
Output winding	0	0	0	0	0	0

X – standard

0 – optional

NOTE : The table shows only the most common types of machines. DOTEX produces a wide range of braiding machines with different numbers of carriers and heads which are not specified here. Our technical team is ready to meet all your individual requirements.



It's up to you...