



*It's up to you...*

## ROUND TEXTILE BRAIDING MACHINES

**RTM Series (pitch 100)**

ideal for braids diameter 0,8 – 6mm (8mm optional)



- **USER - FRIENDLY**
- **HIGH RELIABILITY AND EFFICIENCY**
- **VARIOUS CARRIER TYPES**
- **HIGH PRODUCTIVITY**
- **LOW NOISE LEVEL**

**Dotex Ltd. Nový Jičín**

Dolní Brána 53  
741 01 Nový Jičín  
Czech republic

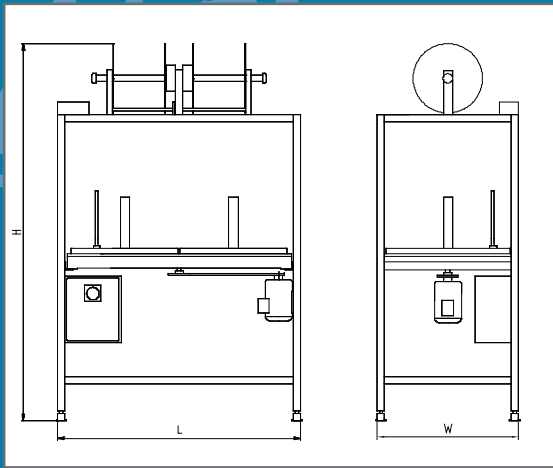


**ISO 9001**

REGISTERED QUALITY SYSTEM

tel.: (+420) 556 766 230  
fax.: (+420) 556 766 278

[www.dotex.cz](http://www.dotex.cz)



*It's up to you...*

Machine Type	RTM 8/4	RTM 12/2	RTM 16/2	RTM 24/2	RTM 32/2
Number of heads	4	2	2	2	2
Carriers per head	8	12	16	24	32
Pitch size in mm	100	100	100	100	100
Length in mm (L)	920	920	920	930	1080
Width in mm (W)	470	450	450	590	710
Height in mm (H)	1750	1750	1750	1850	1850
Weight in kg	160	140	150	165	190
Motor power in kW	0,55	0,37	0,37	0,55	0,75
Speed in rpm	280	320	320	320	320
Carrier type	5514(5547)	5544	5544	5544	5544
Bobbin size in mm	120x42 (145x42)	175x55 -	175x55 -	175x55 -	175x55 -
Bobbin volume in ccm	135 (165)	360	360	360	360
Drum size in mm	150x100	320x220	320x220	320x220	320x220

Accessories :					
Accessory for elastic	0	0	0	0	0
Backside take-off	0	0	0	0	0
Counter device	X	X	X	X	X
Time control	0	0	0	0	0
Crosswinding	0	0	0	0	0

X – standard

0 – optional

NOTE : The table shows only the most common types of machines. DOTEX produces a wide range of braiding machines with different numbers of carriers and heads which are not specified here. Our technical team is ready to meet all your individual requirements.



*It's up to you...*